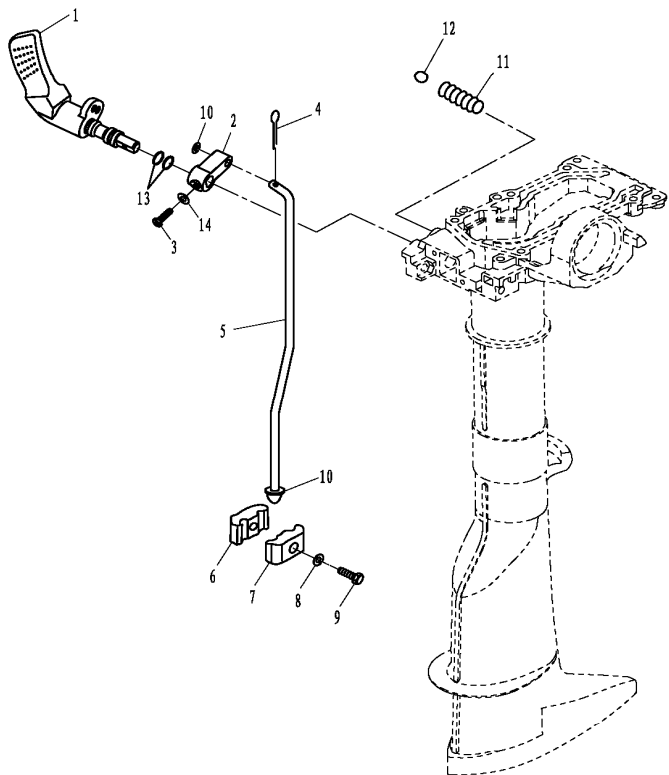


零件名称: 控制系统

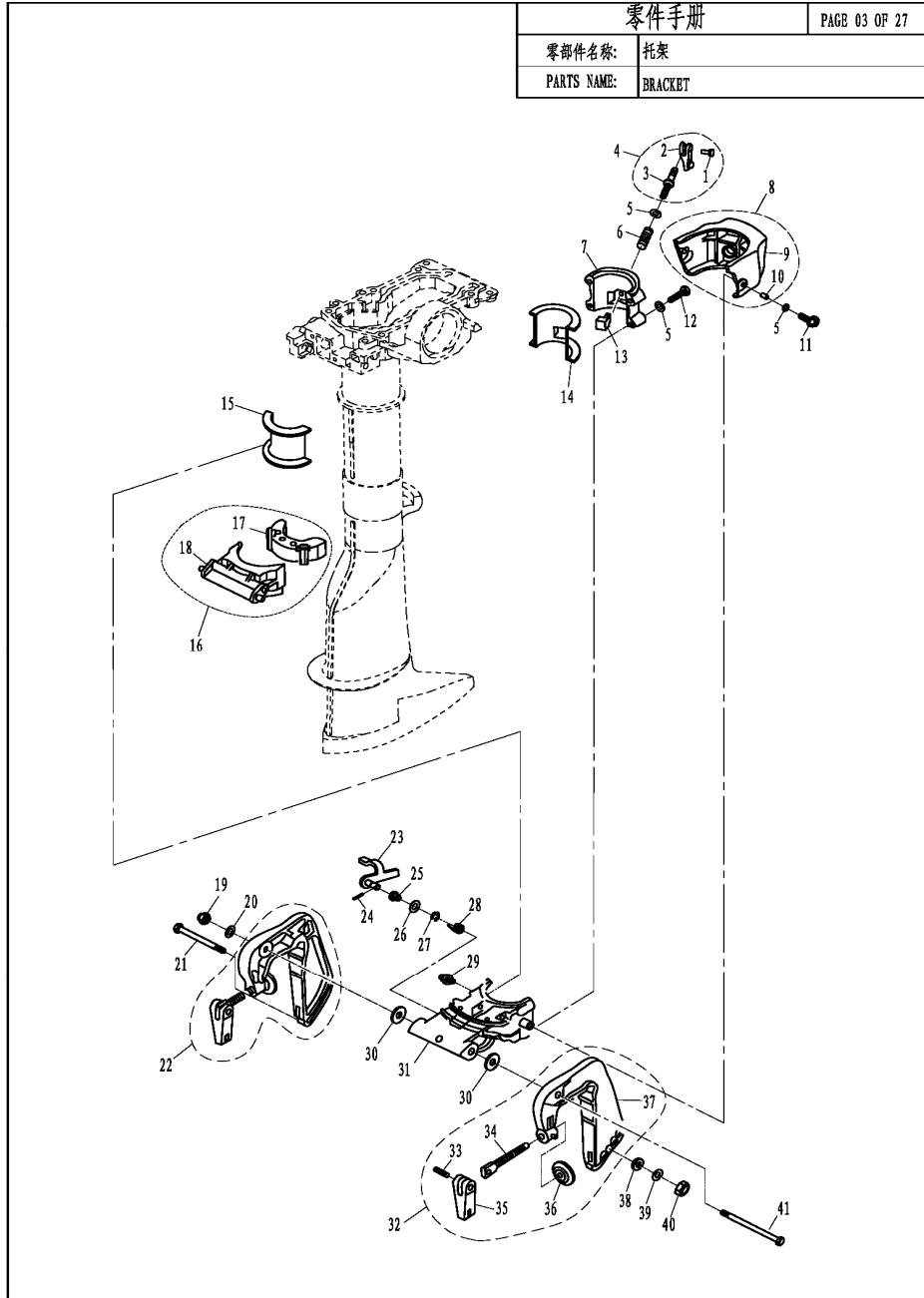
PARTS NAME: CONTROL



| SN. | PART NO. | DESCRIPTION | DESCRIPTION | QTY | |
|-----|-------------------|--------------|------------------------|-----|--------------|
| 1 | T3.6-02020000 | 变档手柄组件 | GEAR SHIFT HANDLE ASSY | 1 | |
| 2 | T3.6-02000004 | 变档摆杆 | SHIFT POD | 1 | |
| 3 | GB/T818-M4X12 | 十字槽盘头螺钉M4X12 | BOLT M4X12 | 1 | Not for sale |
| 4 | GB/T91-1.6X12 | 开口销1.6X12 | PIN, COTTER | 1 | |
| 5 | T3.6-02000003 | 变档连杆 | ROD SHIFT | 1 | |
| 6 | F2.6-00000001 | 变档连接器A | CONNECTOR, SHIFT ROD A | 1 | |
| 7 | F2.6-00000002 | 变档连接器B | CONNECTOR, SHIFT ROD B | 1 | |
| 8 | F4-00000005 | 大垫圈 | WASHER | 1 | |
| 9 | GB/T9074.14-M6X20 | 六角螺栓M6X20 | BOLT M6X20 | 1 | |
| 10 | GB/T97.1-5 | 平垫圈5 | WASHER 5 | 2 | |
| 11 | F4-02000003 | 变档弹簧 | SPRING, GEAR | 1 | |
| 12 | GB/T308-8 | 钢珠8 | BALL 8 | 1 | |
| 13 | JISB-2401-P9 | O型密封圈P9 | O-RING | 2 | |
| 14 | GB/T97.1-4 | 平垫圈4 | WASHER 4 | 1 | Not for sale |

Toysama
marine

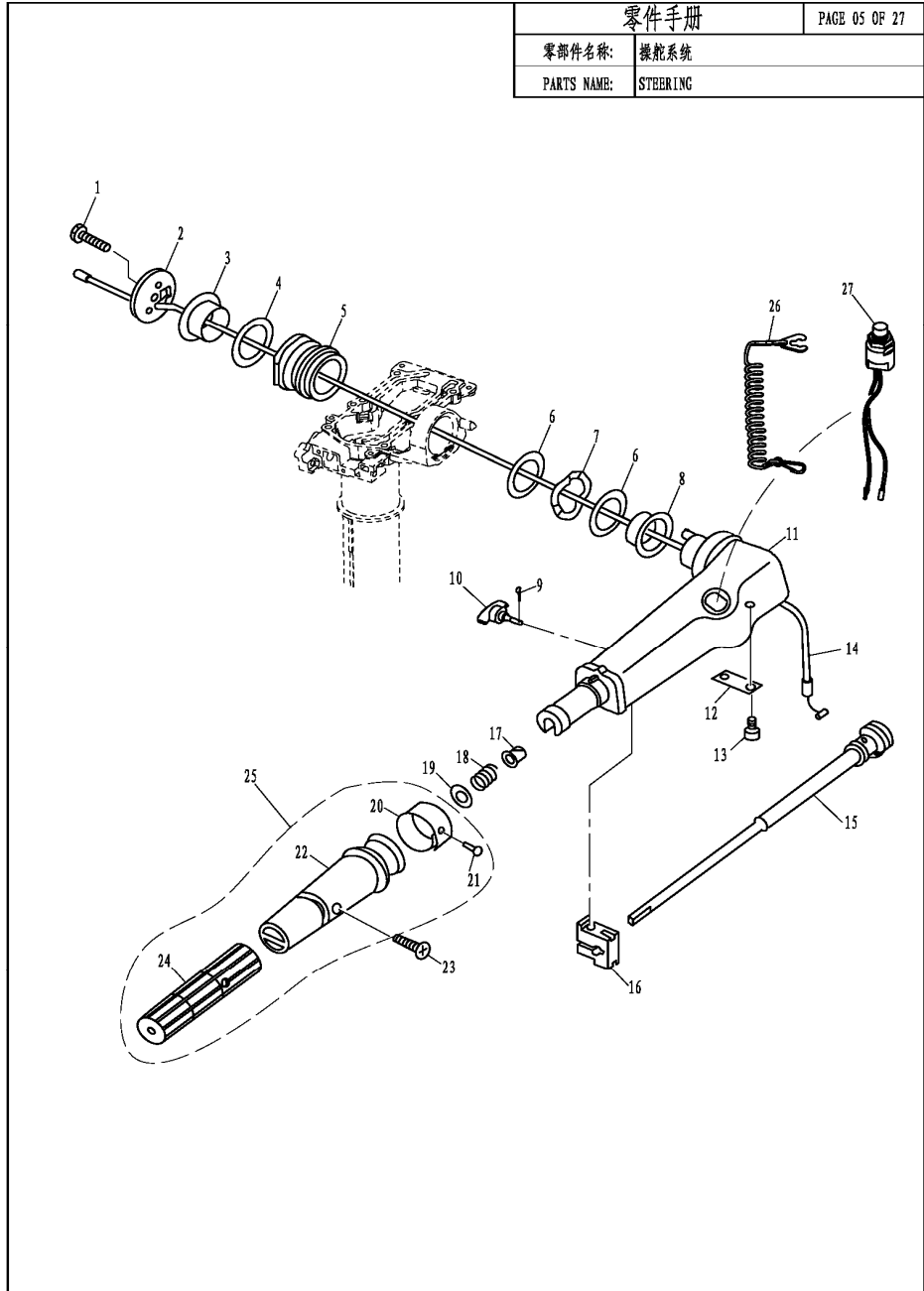
BRACKET



| SN. | PART NO. | DESCRIPTION | DESCRIPTION | QTY | |
|-----|-------------------|----------------|-------------------------|-----|--------------|
| 1 | GB/T875-4X11 | 扁平头半空心铆钉Φ4X11 | RIVET | 1 | |
| 2 | F4-01060002 | 锁紧手柄 | CLAMP HANDLE | 1 | |
| 3 | F2.6-01050101 | 锁紧手柄螺杆 | LOCKED SCREW | 1 | |
| 4 | F2.6-01050100 | 锁紧手柄组件 | LOCKED HANDLE ASSY | 1 | |
| 5 | GB/T97.1-6 | 平垫圈6 | WASHER 6 | 7 | |
| 6 | F2.6-01050002 | 压缩弹簧 | SPRING | 1 | |
| 7 | F2.6-01050001 | 旋转支架盖 | COVER, SWIVEL BRACKET | 1 | |
| 8 | F2.6-00000100 | 托架护盖组件 | BRACKET, COVER ASSY | 1 | |
| 9 | F2.6-00000101 | 托架护盖 | COVER, BRACKET | 1 | Not for sale |
| 10 | F2.6-00000102 | 护盖衬管 | BUSH | 2 | Not for sale |
| 11 | GB/T818-M6X16 | 十字槽盘头螺钉M6X16 | SCREW, PAN HEAD | 2 | |
| 12 | GB/T9074.14-M6X30 | 六角螺栓M6X30 | BOLT M6X30 | 4 | |
| 13 | F2.6-01050200 | 锁紧块组件 | LOCKED BLOCK ASSY | 1 | |
| 14 | F2.6-01000004 | 旋转支架衬套B | BUSHING B | 1 | |
| 15 | F2.6-01000003 | 旋转支架衬套A | BUSHING A | 1 | |
| 16 | F2.6-01040000 | 承推托架组件 | THRUST RECEIVE ASSY | 1 | |
| 17 | F2.6-01040100 | 承推减震器 | DAMPER | 1 | |
| 18 | F2.6-01040001 | 承推托架 | BRACKET, THRUST RECEIVE | 1 | |
| 19 | GB/T889.1-M8 | 非金属嵌件六角锁紧螺母M8 | NUT M8 | 1 | |
| 20 | GB/T97.1-8 | 平垫圈 8 | WASHER 8 | 1 | |
| 21 | GB/T5782-M6X125 | 六角螺栓M6X125 | BOLT M6X125 | 1 | |
| 22 | F2.6-01020000 | 右夹紧托架组件 | BRACKET RIGHT ASSY | 1 | |
| 23 | F2.6-01030100-A | 角度锁紧手柄组件 | TILT CLAMP HANDLE ASSY | 1 | |
| 24 | GB/T879.2-2X10 | 轻型直槽弹性圆柱销Φ2X10 | PIN Φ2X10 | 1 | |
| 25 | F4-01090006 | 衬套 | BUSHING | 1 | |
| 26 | F2.6-01030009 | 角度锁紧手柄衬套 | LEVER, TILT LOCK | 1 | |
| 27 | GB/T896-6 | 开口挡圈 6 | CIRCLIP 6 | 1 | |
| 28 | F2.6-01030003-A | 角度锁紧手柄钮簧 | SPRING | 1 | |
| 29 | JB/T9740.1-M6 | 直通式压注油杯M6 | NIPPLE, GREASE | 1 | |
| 30 | GB/T96-8 | 大垫圈8 | WASHER 8 | 2 | |
| 31 | F2.6-01030000 | 旋转支架座 | BRACKET, SWIVEL | 1 | |
| 32 | F2.6-01010000 | 左夹紧托架组件 | BRACKET LEFT ASSY | 1 | |
| 33 | F4-01010005 | 舰板夹紧手柄铆钉 | RIVET | 2 | |
| 34 | F4-01010002 | 舰板夹紧螺杆 | CLAMP BOLT | 2 | |
| 35 | F4-01010004 | 舰板夹紧手柄 | CLAMP SHIPBOARD HANDLE | 2 | |
| 36 | F4-01010003 | 舰板夹紧圆盘 | CLAMP PLATE | 2 | |
| 37 | F2.6-01010001 | 左夹紧托架 | BRACKET, CLAMP(LEFT) | 1 | Not for sale |
| 38 | F2.6-01000002 | 螺栓垫管 | BUSH, BOLT | 1 | |
| 39 | GB/T93-6 | 弹性垫圈 6 | SPRING-WASHER 6 | | |
| 40 | GB/T6170-M6 | 六角螺母M6 | NUT M6 | 1 | |
| 41 | F2.6-01000001 | 六角螺栓M8X135 | BOLT M8X135 | 1 | |

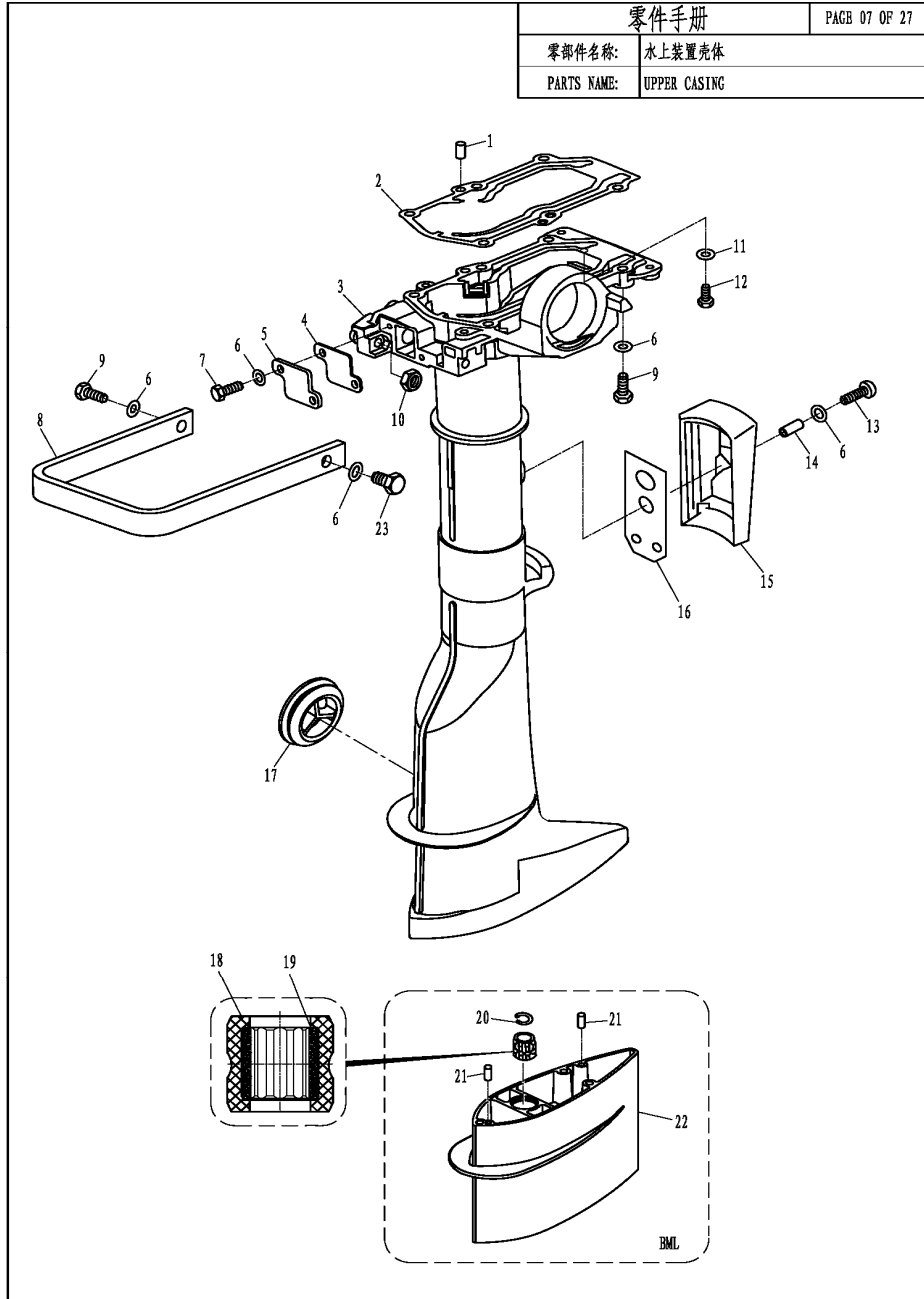
STEERING

零件手册 PAGE 05 OF 27
 零部件名称: 操纵系统
 PARTS NAME: STEERING



| SN. | PART NO. | DESCRIPTION | DESCRIPTION | QTY | |
|-----|-------------------|---------------|--------------------------|-----|--------------|
| 1 | GB/T9074.14-M8X25 | 六角螺栓M8X25 | BOLT M8x25 | 1 | |
| 2 | F4-01000014 | 操纵手柄盖板 | COVER, HANDLE STEERING | 1 | |
| 3 | F4-01000008 | 操纵手柄衬套B | BUSH B, HANDLE | 1 | |
| 4 | F4-01000011 | 衬套垫圈A | WASHER A, BUSH | 1 | |
| 5 | F4-05000014 | 操纵手柄减震器组件 | HANDLE DAMPER ASSY | 1 | |
| 6 | F4-01000010 | 衬套垫圈B | WASHER B, BUSH | 2 | |
| 7 | F4-01000012 | 手柄衬套波形垫圈 | BUSH, WAVE | 1 | |
| 8 | F4-01000009 | 操纵手柄衬套A | BUSH A, HANDLE | 1 | |
| 9 | GB/T91-1.6x12 | 开口销Φ1.6X12 | PIN, COTTER Φ1.6x12 | 1 | |
| 10 | F4-01090200 | 阻力调整旋钮组件 | BOLT, FRICTION ADJUSTING | 1 | |
| 11 | F4-01090001 | 操纵手柄 | HANDLE, STEERING | 1 | |
| 12 | F4-01090002 | 节气门杆固定板 | STAY | 1 | |
| 13 | GB/T818-M5X12 | 十字槽盘头螺钉M5X12 | SCREW, PAN HEAD | 2 | |
| 14 | T3.6-04000600 | 油门钢索组件 | THROTTLE CABLE ASSY | 1 | |
| 15 | F4-01090100 | 节气门杆组件 | LEVER, THROTTLE ASSY | 1 | |
| 16 | F4-01090003 | 操纵手柄握把摩擦块 | FRICTION | 1 | |
| 17 | F4-01090006 | 衬套 | BUSH | 1 | |
| 18 | F4-01090007 | 压缩弹簧 | SPRING | 1 | |
| 19 | GB/T848-10 | 小垫圈10 | WASHER 10 | 1 | |
| 20 | T3.6-02010001 | 油门标志牌 | INDICATOR THROTTLE | 1 | |
| 21 | GB/T827-2X5 | 标牌铆钉Φ2X5 | RIVET Φ2X5 | 1 | |
| 22 | T3.6-02010101 | 操纵手柄塑胶套 | PLASTIC COVER, HANDLE | 1 | Not for sale |
| 23 | GB/T820-M5X25 | 十字槽半沉头螺钉M5X25 | SCREW M5X25 | 1 | |
| 24 | T15-01020302 | 操纵手柄橡胶套 | RUBBER COVER, HANDLE | 1 | Not for sale |
| 25 | T3.6-02010100 | 操纵手柄橡胶套组件 | STEERING HANDLE ASSY | 1 | |
| 26 | F4-01090401 | 引擎停止安全索 | STOPPER, HANG ROPE ASSY | 1 | |
| 27 | F4-01090400 | 急停开关组件 | ENGINE STOP SWITCH ASSY | 1 | |

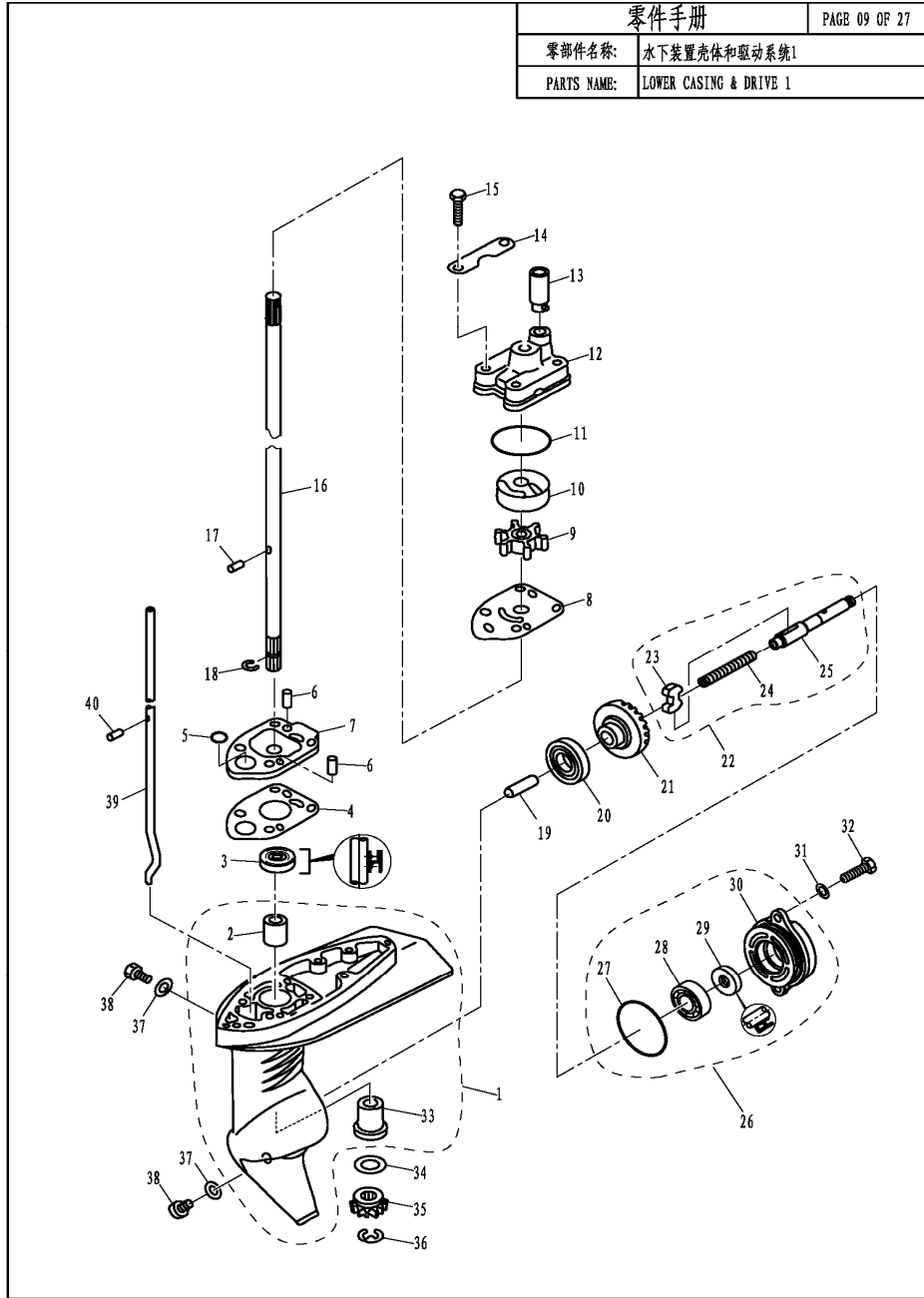
UPPER CASING



| SN. | PART NO. | DESCRIPTION | DESCRIPTION | QTY | |
|-----|-------------------|--------------|-----------------------|-----|--------------|
| 1 | F15-00000006 | 定位销Φ6X12 | PIN 6X12 | 2 | |
| 2 | T3.6-00000001 | 发动机密封垫 | GASKET, ENGINE | 1 | |
| 3 | TC3.6-02000001 | 水上装置壳体 | UPPER CASING | 1 | |
| 4 | T3.6-02000006 | 盖板密封垫 | GASKET, COVER | 1 | |
| 5 | T3.6-02000005 | 变档摆杆盖板 | COVER, SHIFT ROD | 1 | |
| 6 | GB/T97.1-6 | 平垫圈6 | WASHER | 5 | |
| 7 | GB/T5783-M5X12 | 六角螺栓M5X12 | BOLT M5X12 | 2 | |
| 8 | T3.6-02000007 | 手把 | HANDLE | 1 | |
| 9 | GB/T9074.14-M6X25 | 六角螺栓M6X25 | BOLT M6x25 | 2 | |
| 10 | GB/T6170-M6 | 六角螺母M6 | NUT M6 | 2 | |
| 11 | F4-03000024 | 注油孔螺塞垫圈 | GASKET | 3 | |
| 12 | F4-03000023 | 注油孔螺塞 | PLUG, OIL HOLE | 3 | |
| 13 | GB/T818-M6X16 | 十字槽盘头螺钉M6X16 | SCREW | 2 | |
| 14 | F2.6-00000102 | 护盖衬管 | BUSH | 1 | Not for sale |
| 15 | F2.6-02000004 | 排气盖板 | EXHAUST COVER | 1 | |
| 16 | T3.6-02000009 | 排气盖板垫 | GASKET, EXHAUST COVER | 1 | |
| 17 | F4-02000012 | 水上装置橡胶堵头 | RUBBER PLUG, UPPER | 1 | |
| 18 | F4-02030003 | 驱动轴橡胶衬套 | RUBBER BUSHING | 1 | |
| 19 | F4-02030002 | 驱动轴衬套 | BUSHER, DRIVE SHAFT | 1 | |
| 20 | GB/T893.1-22 | 孔用弹性档圈22 | CIRCLIP 22 | 1 | |
| 21 | F15-00000013 | 定位销Φ4x12 | PIN, DOWEL | 2 | |
| 22 | F4-02030001 | 接长体 | EXTENSION | 1 | |
| 23 | GB/T9074.14-M6X30 | 六角螺栓M6X30 | BOLT M6 | 1 | |

LOWER CASING & DRIVE 1

| | | |
|-------------|------------------------|---------------|
| 零件手册 | | PAGE 09 OF 27 |
| 零部件名称: | 水下装置壳体驱动系统1 | |
| PARTS NAME: | LOWER CASING & DRIVE 1 | |

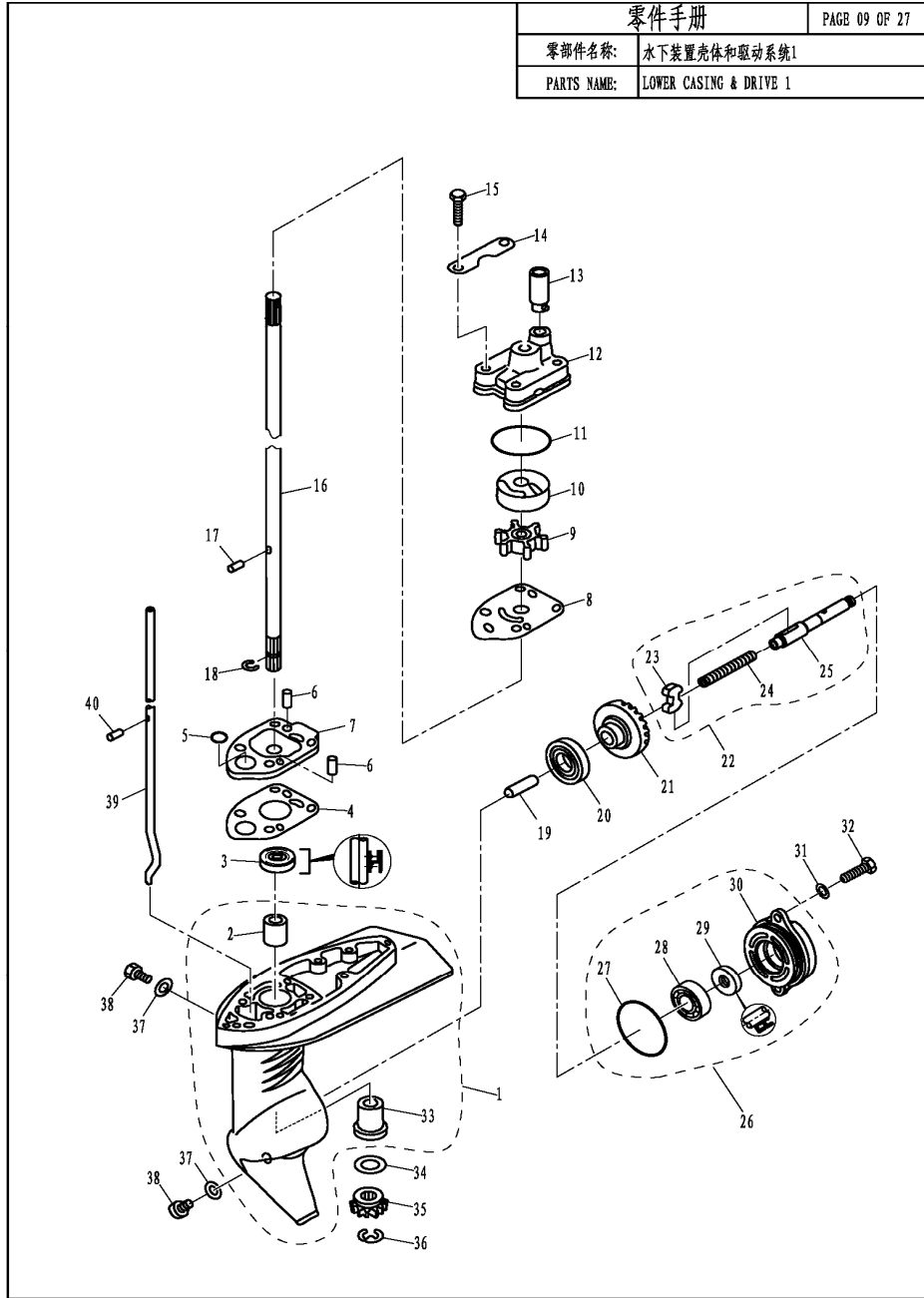


| SN. | PART NO. | DESCRIPTION | DESCRIPTION | QTY |
|-----|-------------------|-------------------|--------------------------|-----|
| 1 | F2.6-03030000 | 水下壳体组件 | LOWER CASING ASSY | 1 |
| 2 | F2.6-03000003 | 不带档边筒形轴承 | BEARING | 1 |
| 3 | F2.6-03000004 | 驱动轴下油封9.8X24X9 | OIL SEAL | 1 |
| 4 | F2.6-03000007 | 水泵座密封垫 | GASKET, WATER PUMP | 1 |
| 5 | F2.6-03000009 | O型密封圈 | O-RING | 1 |
| 6 | F4-03000013 | 定位销Φ4X18 | PIN | 2 |
| 7 | F2.6-03000008 | 水泵座 | HOUSING, WATER PUMP | 1 |
| 8 | F2.6-03000010 | 外档板 | OUT PLATE | 1 |
| 9 | F2.6-03000100 | 叶轮组件 | IMPELLER ASSY | 1 |
| 10 | F2.6-03000015 | 水泵内壳 | COVER, INNER WATER PUMP | 1 |
| 11 | JASO-F404-19-033 | 水泵内壳O形圈 | O-RING | 1 |
| 12 | F2.6-03000014 | 水泵壳体 | WATER PUMP HOUSING | 1 |
| 13 | F4-03000021 | 泵壳橡胶管 | RUBBER TUBE, WATER PUMP | 1 |
| 14 | F2.6-03000016 | 泵壳固定板 | PLATE, WATER PUMP FIXED | 2 |
| 15 | GB/T5782-M6X40 | 六角螺栓M6X40 | BOLT M6X40 | 4 |
| 16 | TC3.6-03000001L | 驱动轴(长轴)(直径是9.8mm) | DRIVE SHAFT(LONG) | 1 |
| | TC3.6-03000001S | 驱动轴(短轴)(直径是9.8mm) | DRIVE SHAFT(SHORT) | 1 |
| 17 | F2.6-03000013 | 叶轮定位销Φ3.5X7 | PIN | 1 |
| 18 | F2.6-03000012 | 轴用钢丝档圈 | CLIP | 1 |
| 19 | F2.6-03000020 | 变档柱塞 | PLUG, SHIFT | 1 |
| 20 | GB/T276-16003/P63 | 深沟球轴承 | BALL BEARING | 1 |
| 21 | F2.6-03000019 | 正档齿轮组件 | POSITIVE GEAR ASSY | 1 |
| 22 | TC3.6-03000200 | 螺旋桨轴组件 | SHAFT, PROPELLER | 1 |
| 23 | F2.6-03000202 | 离合器块 | CLUTCH BLOCK | 1 |
| 24 | F4-03030003 | 离合器块压簧 | SPRING, CLUTCH BLOCK | 1 |
| 25 | TC3.6-03000201 | 螺旋桨轴 | SHAFT, PROPELLER | 1 |
| 26 | TC3.6-03000300 | 水下装置壳体盖组件 | COVER ASSY, LOWER CASING | 1 |
| 27 | JISB-2401-P48 | 水下壳体盖O形圈Φ47.1X3.5 | O-RING | 1 |
| 28 | GB/T276-6001C2 | 深沟球轴承6001C2 | BEARING 6001C2 | 1 |
| 29 | F8-04000101 | 水泵座油封12X24X8 | OIL SEAL | 1 |
| 30 | TC3.6-03000301 | 水下装置壳体盖 | COVER, LOWER CASING | 1 |
| 31 | GB/T97.1-6 | 平垫圈6 | WASHER | 2 |
| 32 | GB/T5783-M6X16 | 六角头螺栓M6X16 | BOLT | 2 |
| 33 | F2.6-03000002 | 带档边筒形轴承 | BEARING | 1 |
| 34 | F2.6-03000017 | 主动齿轮填隙片(T: 2.0毫米) | SHIM (T: 2.0MM) | 1 |
| 35 | F2.6-03000018 | 主动齿轮 | INITIATIVE GEAR | 1 |
| 36 | GB/T896-6 | 开口档圈6 | CIRCLIP | 1 |
| 37 | F4-03000024 | 注油孔螺塞垫 | GASKET | 2 |
| 38 | F4-03000023 | 注油孔螺塞 | PLUG, OIL HOLE | 2 |
| 39 | F2.6-03000005L | 变档凸轮轴(长轴) | SHIFT CAMSHAFT L | 1 |
| | F2.6-03000005S | 变档凸轮轴(短轴) | SHIFT CAMSHAFT S | 1 |

LOW CASING & DRIVE 1

| | | |
|-------------|------------------------|---------------|
| 零件手册 | | PAGE 09 OF 27 |
| 零部件名称: | 水下装置壳体 and 驱动系统1 | |
| PARTS NAME: | LOWER CASING & DRIVE 1 | |

| SN. | PART NO. | DESCRIPTION | DESCRIPTION | QTY |
|-----|------------------|-----------------|-------------|-----|
| 40 | GB/T879.3-1.5x14 | 重型卷制弹性圆柱销1.5X14 | PIN 1.5x14 | 1 |



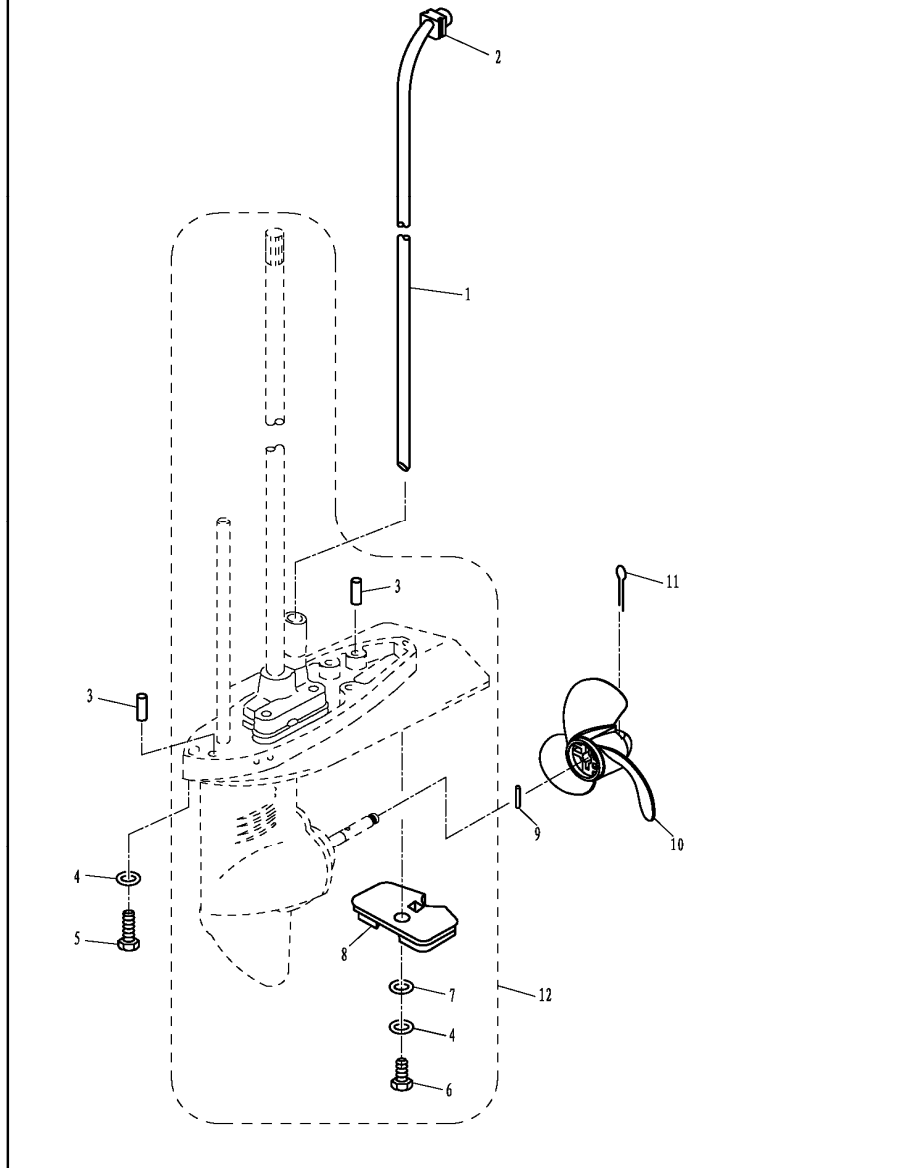
LOW CASING & DRIVE 2

零件手册

PAGE 11 OF 27

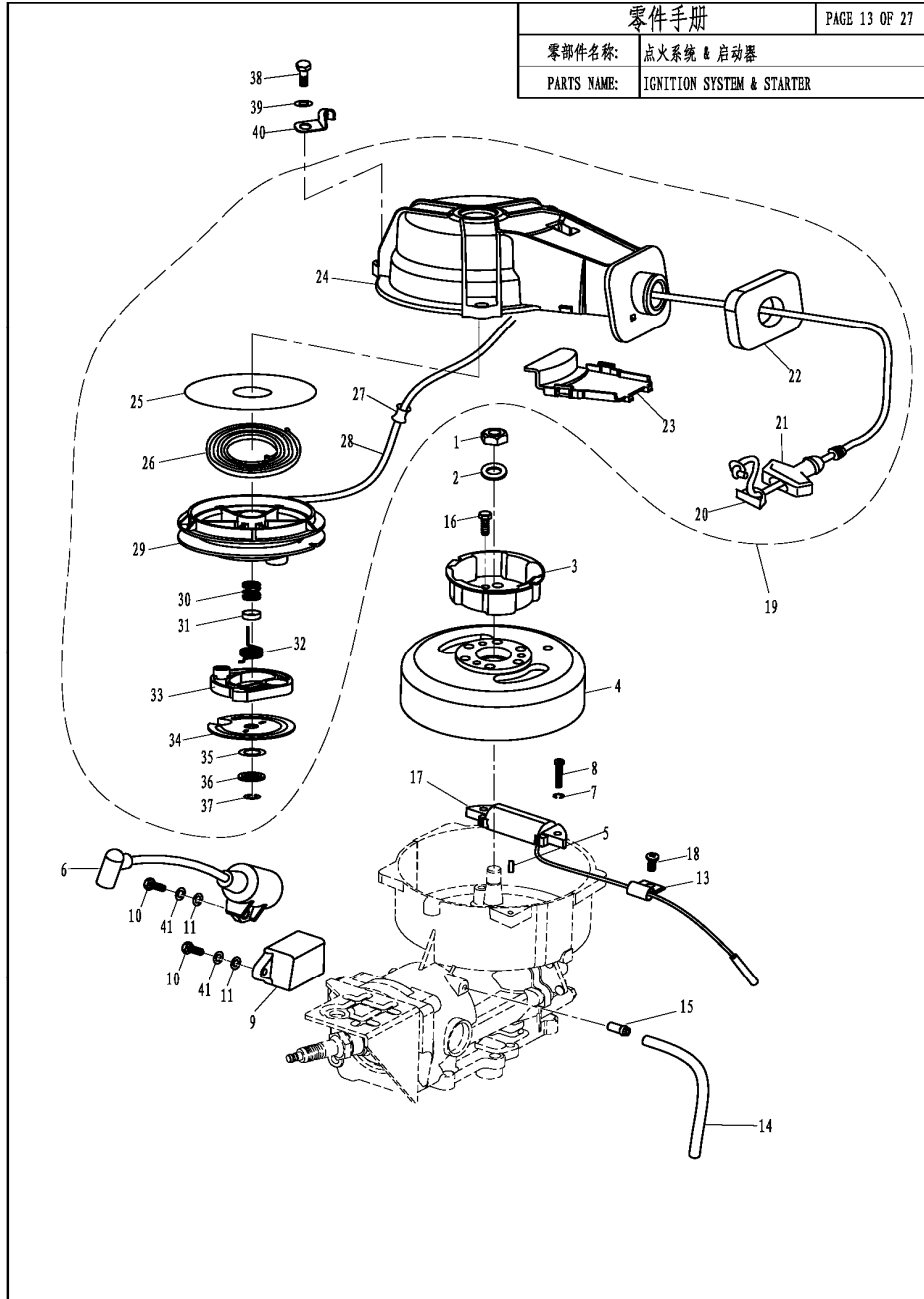
零部件名称: 水下装置壳体驱动系统2

PARTS NAME: LOWER CASING & DRIVE 2



| SN. | PART NO. | DESCRIPTION | DESCRIPTION | QTY |
|-----|-------------------|---------------|------------------------|-----|
| 1 | TC3.6-02000002L | 进水管 (长轴) | WATER TUBE L | 1 |
| | TC3.6-02000002S | 进水管 (短轴) | WATER TUBE S | 1 |
| 2 | T3.6-02000008 | 工形橡胶圈 | I-SHAPED RUBBER BAND | 1 |
| 3 | F15-00000013 | 水泵座定位销 4X12 | PIN | 2 |
| 4 | GB/T97.1-6 | 平垫圈6 | WASHER | 4 |
| 5 | GB/T9074.14-M6X30 | 六角螺栓M6X30 | BOLT M6X30 | 3 |
| | GB/T5782-M6X157 | 六角螺栓M6X157 | BOLT M6X157 | 3 |
| 6 | GB/T5783-M6X12 | 六角螺栓M6X12 | BOLT M6X12 | 3 |
| 7 | GB/T861.1-6 | 内齿锁紧垫圈6 | WASHER, INTERNAL TOOCH | 1 |
| 8 | F4-03000022 | 阳极 | ANODE | 1 |
| 9 | TC3.6-03010002 | 螺旋桨限位销 | PIN, PROPELLER | 1 |
| 10 | T3.6E-03010001 | 螺旋桨体 (铝) | PROPELLER (ALUMINUM) | 1 |
| | T3.6E-03010001A | 螺旋桨体 (塑料) | PROPELLER (PLASTIC) | 1 |
| 11 | GB/T91-4X40 | 开口销 4X40 | PIN, COTTER 4X40 | 1 |
| 12 | TC3.6-03000000L | 水下装置壳体总成 (长轴) | LOWER CASING ASSY L | 1 |
| | TC3.6-03000000S | 水下装置壳体总成 (短轴) | LOWER CASING ASSY S | 1 |

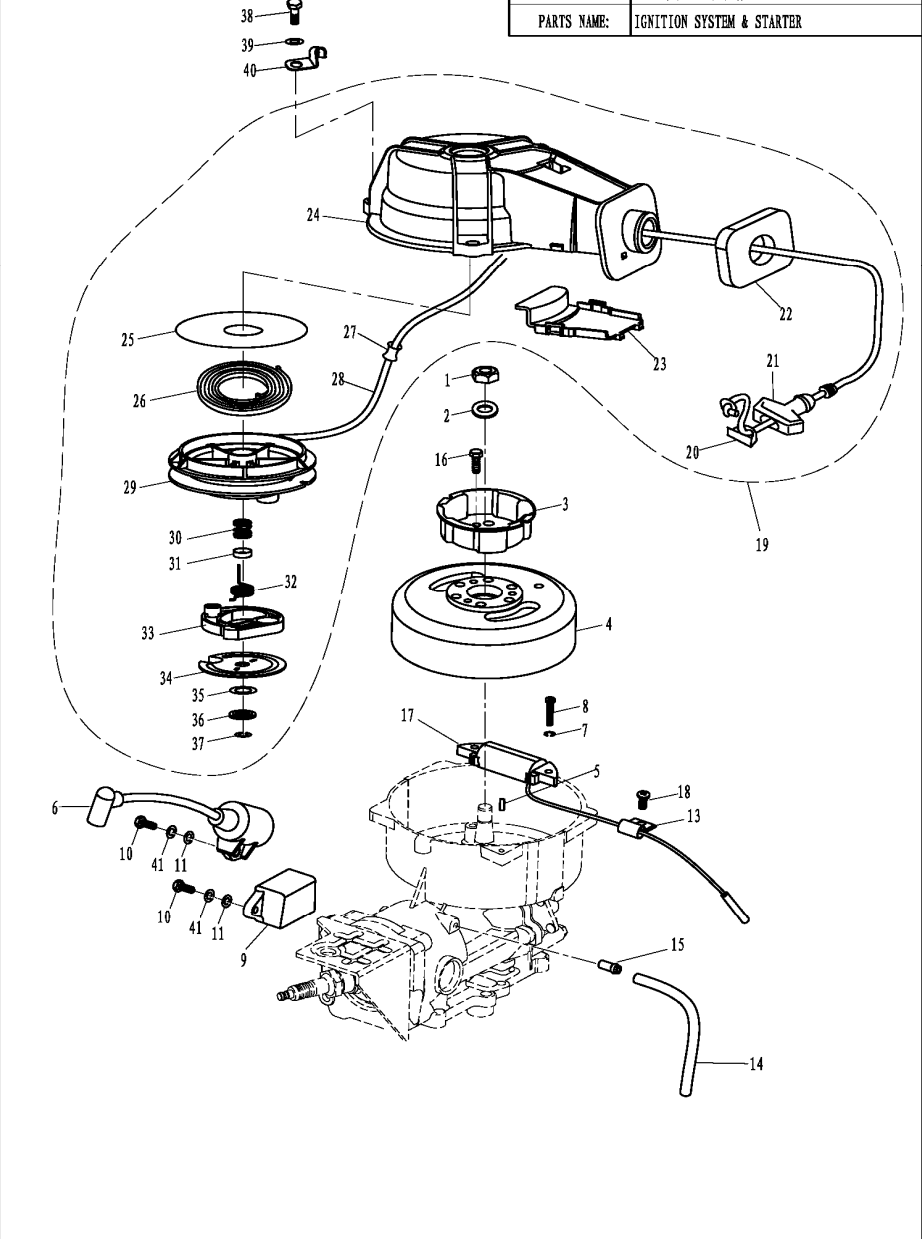
IGNITION ASSY



| SN. | PART NO. | DESCRIPTION | DESCRIPTION | QTY |
|-----|-------------------|---------------|-----------------------------|-----|
| 1 | F4-04000026 | 飞轮螺母M10X1.25 | NUT | 1 |
| 2 | T3.6-04000016 | 飞轮螺母垫圈 | WASHER | 1 |
| 3 | T3.6-04000007 | 启动轴套 | PULLEY, STARTER | 1 |
| 4 | T3.6-04000200 | 飞轮组件 | FLYWHEEL ASSY | 1 |
| 5 | T3.6-04000006 | 飞轮半圆键 | KEY | 1 |
| 6 | T3.6-04000300 | 高压包组件 | HIGH PRESSURE ASSY | 1 |
| 7 | GB/T93-5 | 弹性垫圈5 | WASHER, SPRING | 2 |
| 8 | GB/T818-M5X20 | 十字槽盘头螺钉M5X20 | SCREW, PAN HEAD M5X20 | 2 |
| 9 | T3.6-04000400 | 点火模块组件 | C.D.I.UNIT ASSY | 1 |
| 10 | GB/T5783-M6X16 | 六角螺栓M6X16 | BOLT M6X16 | 1 |
| 11 | GB/T97.1-6 | 平垫圈6 | WASHER | 1 |
| 12 | GB/T9074.14-M6X20 | 六角螺栓M6X20 | BOLT M6X20 | 1 |
| 13 | T3.6-04000005 | 卡箍A | CLAMP A | 1 |
| 14 | T3.6-04000009 | 水管Φ2.5XΦ7X150 | TUBE, WATER | 1 |
| 15 | T15-04010202 | 出水嘴 | DRAIN TUBE | 1 |
| 16 | GB/T5783-M6X12 | 六角螺栓M6X12 | BOLT M6X12 | 3 |
| 17 | T3.6-04000100 | 触发线圈组件 | COIL, PULSER | 1 |
| 18 | GB/T818-M5X10 | 十字槽盘头螺钉M5X10 | SCREW, PAN HEAD M5X10 | 1 |
| 19 | T3.6-04040000 | 启动器组件(含启动减震块) | STARTER ASSY | 1 |
| 20 | F4-04130102 | 起动手柄盖 | COVER | 1 |
| 21 | F4-04130101 | 起动手柄 | HANDLE, STARTER | 1 |
| 22 | T3.6-04000014 | 启动减震器 | SEAL, RUBBER | 1 |
| 23 | T3.6-04040102 | 启动器盖板 | COVER, HANDLE | 1 |
| 24 | T3.6-04040100 | 启动器外壳 | CASE, STARTER | 1 |
| 25 | T3.6-04040010 | 启动轮减磨片 | THRUST WASHER, START WHEEL | 1 |
| 26 | T3.6-04040009 | 涡形弹簧 | SPRING, VOLUTE | 1 |
| 27 | F4-04130013 | 启动绳导管 | MEATUS, START ROPE | 1 |
| 28 | T3.6-04040008 | 启动绳(Φ4x1.4m) | STARTER LINER | 1 |
| 29 | T3.6-04040001 | 启动轮 | DRULL, SHEAVE | 1 |
| 30 | T3.6-04040004 | 启动轮压簧 | SPRING, PLATE | 1 |
| 31 | T3.6-04040003 | 弹簧护套 | JACKET, SPRING | 1 |
| 32 | T3.6-04040002 | 启动器扭簧 | TENSION SPRING, START WHEEL | 1 |
| 33 | T3.6-04040007 | 启动器卡瓣 | PAWL, DRIVE | 1 |
| 34 | T3.6-04040006 | 启动轮压板 | PLATE, PRELL | 1 |
| 35 | T3.6-04040011 | 压板减磨片 | THRUST WASHER, PLATE | 1 |
| 36 | T3.6-04040005 | 开口挡圈垫片 | WASHER, CIRCLIP | 1 |
| 37 | GB/T896-6 | 开口挡圈6 | CIRCLIP 6 | 1 |
| 38 | GB/T5783-M6X20 | 六角螺栓 M6 x 20 | BOLTM6 x 20 | 3 |
| 39 | GB/T97.1-6 | 平垫圈6 | WASHER 6 | 3 |
| 40 | T3.6-04000015 | 卡箍B | CLAMP B | 1 |

IGNITION ASSY

| | | |
|-------------|---------------------------|---------------|
| 零件手册 | | PAGE 13 OF 27 |
| 零部件名称: | 点火系统 & 启动器 | |
| PARTS NAME: | IGNITION SYSTEM & STARTER | |



| SN. | PART NO. | DESCRIPTION | DESCRIPTION | QTY |
|-----|----------|-------------|-------------|-----|
| 41 | GB/T93-6 | 弹性垫圈6 | WASHER 6 | 2 |

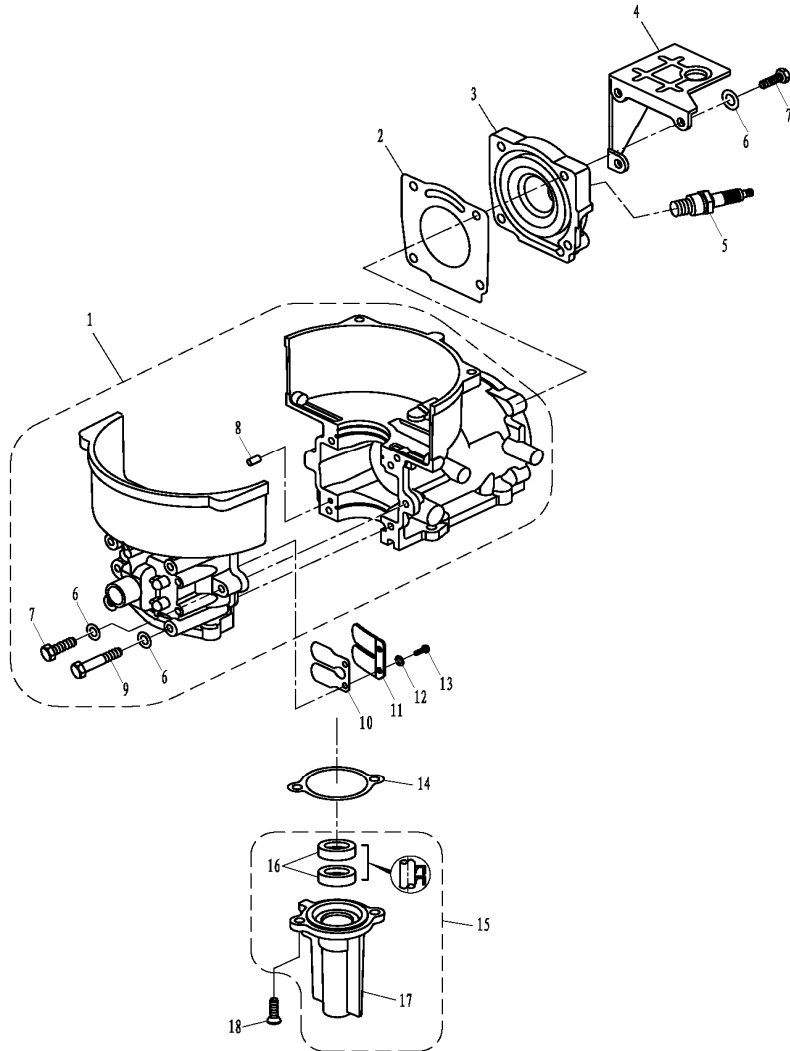
CYLINDER & CRANKCASE

零件手册

PAGE 15 OF 27

零部件名称: 汽缸 & 曲轴箱

PARTS NAME: CYLINDER & CRANKCASE



| SN. | PART NO. | DESCRIPTION | DESCRIPTION | QTY | |
|-----|-----------------|----------------|-------------------------|-----|--------------|
| 1 | T3.6-04010000 | 机体机座组件 (含水嘴) | CRANKCASE ASSY | 1 | |
| 2 | T3.6-04000001 | 缸头复合垫 | GASKET, CYLINDER HEAD | 1 | |
| 3 | T3.6-04000002 | 气缸盖 | CYLINDER COVER | 1 | |
| 4 | T3.6-04000003 | 油箱支撑板 | PLATE, TONK | 1 | |
| 5 | E7RTC | 火花塞 | SPARK PLUG | 1 | |
| 6 | GB/T97.1-6 | 平垫圈6 | WASHER 6 | 10 | |
| 7 | T3.6-04000017 | 六角螺栓M6X30 | BOLT M6X30 | 6 | |
| 8 | F15-00000006 | 定位销Φ6X12 | PIN | 2 | |
| 9 | T3.6-04000018 | 机体螺栓M6X65 | BOLT M6X65 | 4 | |
| 10 | T3.6-04010202 | 进气阀片 | PLATE, INTAKE VALVE | 1 | |
| 11 | T3.6-04010203 | 阀片限位板 | LIMITATIVE PLATE, VALVE | 1 | |
| 12 | GB/T93-4 | 弹性垫圈4 | SPRING-WASHER 4 | 2 | Not for sale |
| 13 | GB/T818-M4X12 | 十字槽盘头螺钉M4X12 | BOLT M4X12 | 1 | Not for sale |
| 14 | T3.6-04000004 | 油封壳体密封垫 | GASKET, SHELL OIL SEAL | 1 | |
| 15 | TC3.6-04030000 | 油封壳体组件 | SHELL, OIL SEAL | 1 | |
| 16 | T2-03000018 | 驱动轴下油封9.8x21x8 | OIL SEAL | 2 | |
| 17 | T3.6-04030001 | 油封壳体 | SHELL, OIL SEAL | 1 | |
| 18 | GB/T819.1-M6X14 | 十字槽沉头螺钉M6X14 | SCREW M4X12 | 2 | |

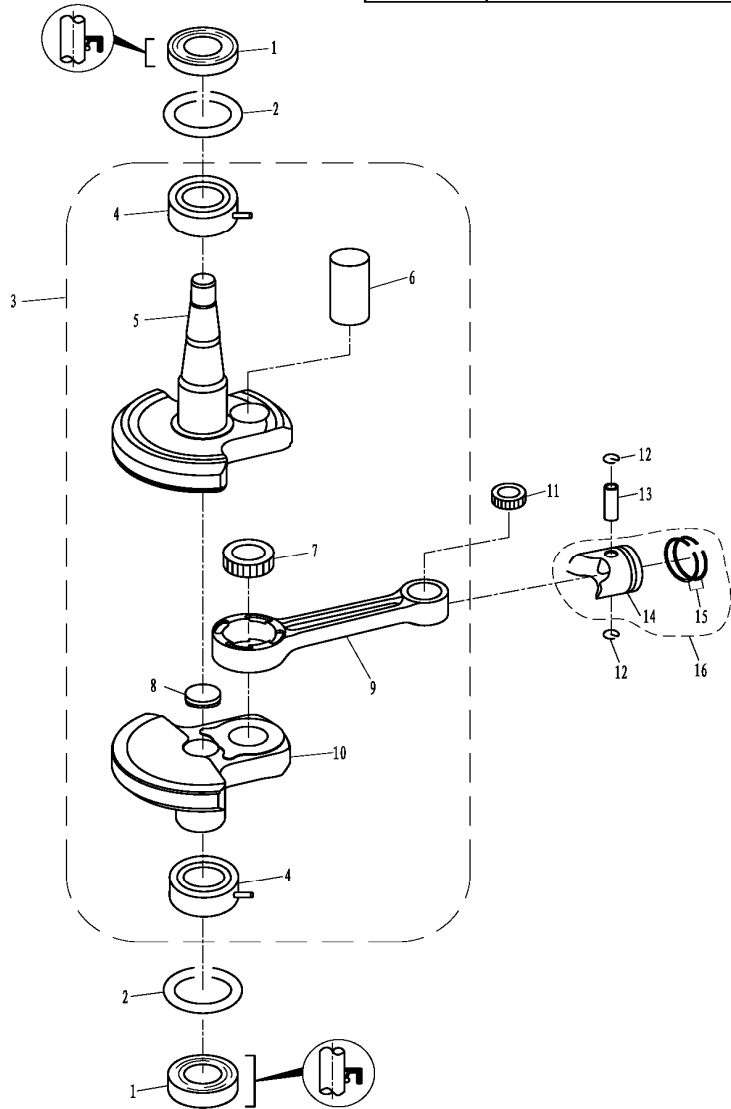
CRANKSHAFT & PISTON

零件手册

PAGE 17 OF 27

零部件名称: 曲轴&活塞

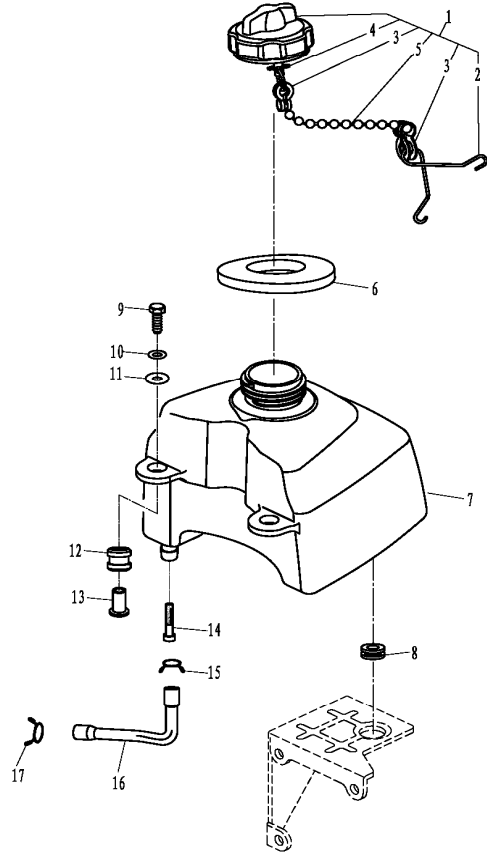
PARTS NAME: CRANKSHAFT & PISTON



| SN. | PART NO. | DESCRIPTION | DESCRIPTION | QTY | |
|-----|----------------|------------------|----------------------|-----|--------------|
| 1 | T3.6-04010002 | 曲轴油封20x42x8 | OIL SEAL | 2 | |
| 2 | T3.6-04010001 | 曲轴定位片 | ROLLERBEARING | 2 | Not for sale |
| 3 | TC3.6-04020100 | 曲轴连杆组件 | CRANK ASSY | 1 | |
| 4 | T3.6-04020107 | 深沟球轴承6004C2 (带销) | BEARING | 2 | |
| 5 | T3.6-04020101 | 曲轴甩块A | BLOCK, SWING A | 1 | not for sale |
| 6 | T3.6-04020102 | 曲柄销 | PIN, CRANKSHAFT | 1 | not for sale |
| 7 | T3.6-04020103 | 滚针轴承 | NEEDLE ROLLERBEARING | 1 | not for sale |
| 8 | T3.6-04020106 | 甩块堵头 | JAM, SWING BLOCK | 1 | Not for sale |
| 9 | T3.6-04020104 | 连杆 | ROD | 1 | not for sale |
| 10 | TC3.6-04020105 | 曲轴块B | BLOCK, SWING B | 1 | Not for sale |
| 11 | T3.6-04020004 | 滚针轴承 | NEEDLE | 1 | |
| 12 | T3.6-04020003 | 活塞销卡簧 | CIRCLIP | 2 | |
| 13 | T3.6-04020005 | 活塞销 | PIN, PISTON | 1 | |
| 14 | T3.6-04020001 | 活塞 | PISTON | 1 | |
| 15 | T3.6-04020002 | 活塞环 | PISTON RING | 2 | |
| 16 | T3.6-04020200 | 活塞组件 | PISTON ASSY | 1 | |

FUEL

| | | |
|-------------|------|---------------|
| 零件手册 | | PAGE 19 OF 27 |
| 零部件名称: | 燃油系统 | |
| PARTS NAME: | FUEL | |



| SN. | PART NO. | DESCRIPTION | DESCRIPTION | QTY | |
|-----|-------------------|-------------|-----------------------------------|-----|--------------|
| 1 | F4-04120100 | 油箱盖组件 | TANK COVER ASSY | 1 | |
| 2 | F4-04120103 | 防脱落扭簧 | SPRING, PREVENT DESQUAMATING | 1 | Not for sale |
| 3 | F4-04120105 | 防脱落卡片 | SHEET METAL, PREVENT DESQUAMATING | 2 | Not for sale |
| 4 | F4-04120106 | 钢丝锁圈 | EYELET, STEEL WIRE | 1 | |
| 5 | F4-04120104 | 防脱链 | CHAIN, PREVENT DESQUAMATING | 1 | Not for sale |
| 6 | T3.6-04000011 | 油箱口减震器 | WASHER, DAMPER | 1 | |
| 7 | T3.6-04050001 | 油箱 | FUEL TANK, INNER | 1 | |
| 8 | T3.6-04000019 | 油箱减震圈B | DAMPER, FUEL TANK B | 1 | |
| 9 | GB/T9074.14-M6X25 | 六角螺栓M6X25 | HEXAGON BOLT M6X25 | 2 | |
| 10 | GB/T93-6 | 弹性垫圈6 | SPRING WASHER 6 | 2 | |
| 11 | GB/T96-6 | 大垫圈 6 | WASHER 6 | 2 | |
| 12 | F4-04120002 | 油箱减震器 | DAMPER, FUEL TANK A | 2 | |
| 13 | T3.6-04000010 | 油箱衬管 | TUBE, DAMPER | 2 | |
| 14 | F4-04120005 | 油箱滤油芯 | FILTER, FUEL TANK | 1 | |
| 15 | F4-05000010 | 油管夹簧A | SPRING, OIL TUBE A | 1 | |
| 16 | T3.6-04000013 | 燃油管A | OIL TUBE A | 1 | |
| 17 | F2.6-04000030 | 油管夹簧C | SPRING, OIL TUBE C | 1 | |

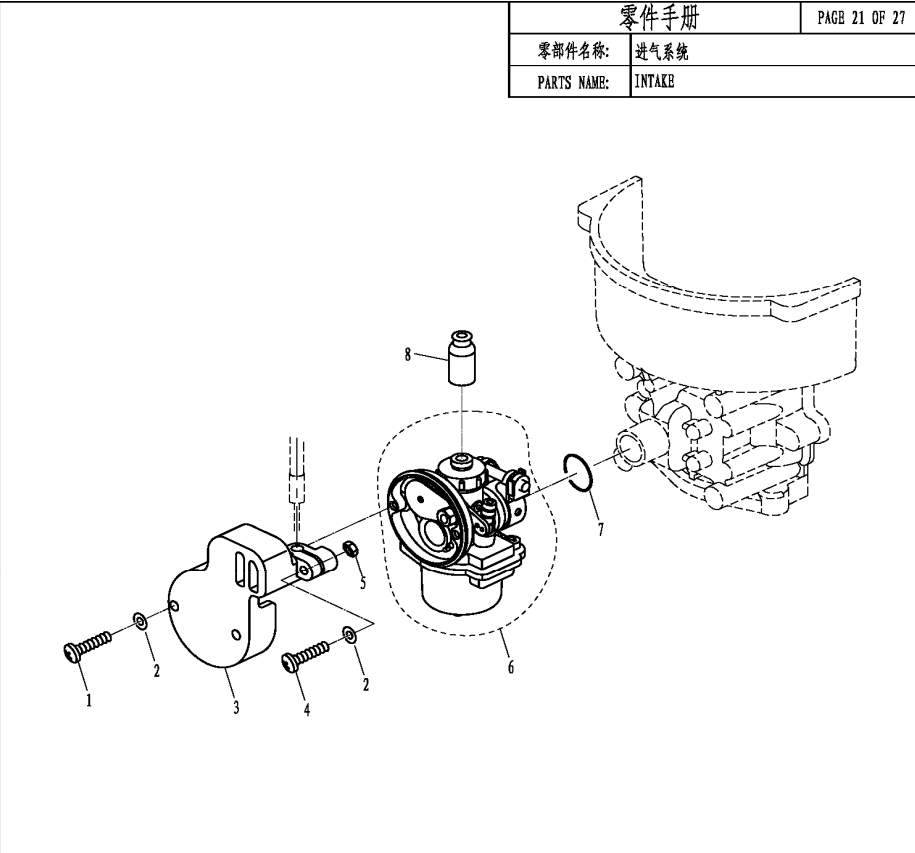
INTAKE

零件手册

PAGE 21 OF 27

零部件名称: 进气系统

PARTS NAME: INTAKE



| SN. | PART NO. | DESCRIPTION | DESCRIPTION | QTY | |
|-----|---------------|--------------|--------------------|-----|--------------|
| 1 | GB/T818-M4X25 | 十字槽盘头螺钉M4X25 | SCREW, PAN HEAD | 2 | Not for sale |
| 2 | GB/T97.1-4 | 平垫圈4 | WASHER 4 | 2 | Not for sale |
| 3 | T3.6-0400008A | 进气消音器 | SILENCER, INTAKE | 1 | |
| 4 | GB/T818-M4X20 | 十字槽盘头螺钉M4X20 | SCREW, PAN HEAD | 1 | |
| 5 | GB/T6170-M4 | 六角螺母M4 | NUT M4 | 4 | |
| 6 | T3.6-04000500 | 化油器组件 | CARBURETOR ASS'Y | 1 | |
| 7 | T3.6-04000501 | 化油器O形圈 | O-RING, CARBURETOR | 1 | |
| 8 | T3.6-04000012 | 化油器护套 | BUSH, CARBURETOR | 1 | |

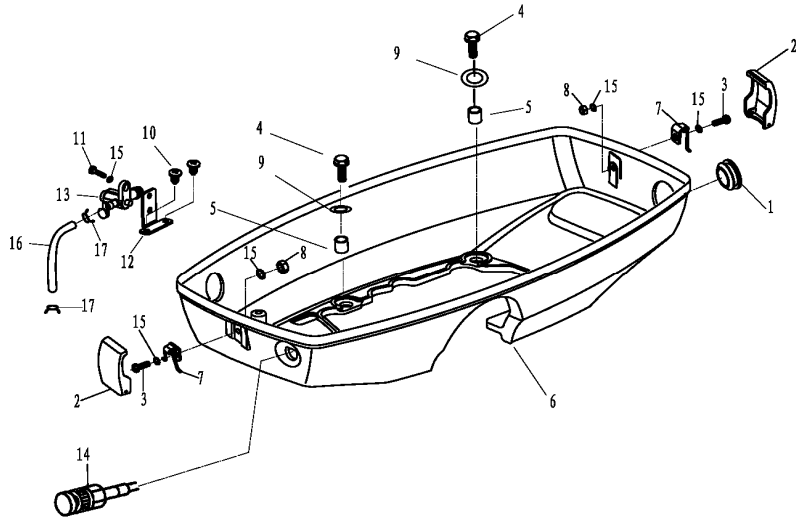
BOTTON COWLING

零件手册

PAGE 24 OF 29

零部件名称: 底罩

PARTS NAME: BOTTOM COWLING



| SN. | PART NO. | DESCRIPTION | DESCRIPTION | QTY | |
|-----|------------------|-------------------|-------------------------|-----|--------------|
| 1 | T3.6-05000003 | 圆形堵塞 | RUBBER PLUG | 1 | |
| 2 | F4-05000023 | 顶罩锁紧钩 | LOCKING HOOK | 2 | |
| 3 | GB/T818-M5x16 | 十字槽盘头螺钉 M5x16 | SCREW M5x16 | | |
| 4 | GB/T5783-M6x16 | 六角螺栓M6X16 | BOLT M6X16 | 4 | |
| 5 | T3.6-05000002 | 底罩垫管 | SPCER, BOTTOM COWLING | 4 | Not for sale |
| 6 | T3.6-05000001A | 底罩 | BOTTOM COWLING | 1 | |
| 7 | F4-05000020 | 顶罩锁紧钩组件 | SEAT ASSY, LOCKING HOOK | 2 | |
| 8 | GB/T889.1-M5 | 非金属嵌件六角锁紧螺母M5 | LOCK NUT M5 | 2 | |
| 9 | GB/T96-6 | 平垫圈6 | WASHER 6 | 4 | |
| 10 | GB/T845-ST4.8X13 | 十字槽盘头自攻螺钉ST4.8X13 | PAN HEAD SCREW ST4.8X13 | 2 | |
| 11 | GB/T5783-M5x10 | 六角螺栓M5X10 | BOLT M5X10 | 1 | |
| 12 | T3.6-05000101 | 油开关固定板 | FIXED PLATE, FUEL COCK | 1 | |
| 13 | T3.6-05000100 | 油开关组件 | FUEL COCK ASSY | 1 | |
| 14 | T3.6-05000200 | 阻风门组件 | CHOKE ASSY | 1 | |
| 15 | GB/T97.1-5 | 平垫圈5 | WASHER 5 | 1 | |
| 16 | T3.6-05000005 | 燃油管BΦ10XΦ5 | FUEL PIPE B | 1 | |
| 17 | F4-04000030 | 燃油夹簧B | CIRCLIP B | 2 | |

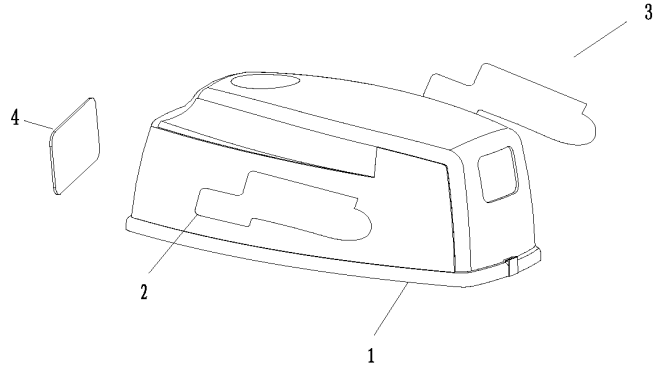
TOP COWLING

零件手册

PAGE 25 OF 29

零部件名称: 顶罩

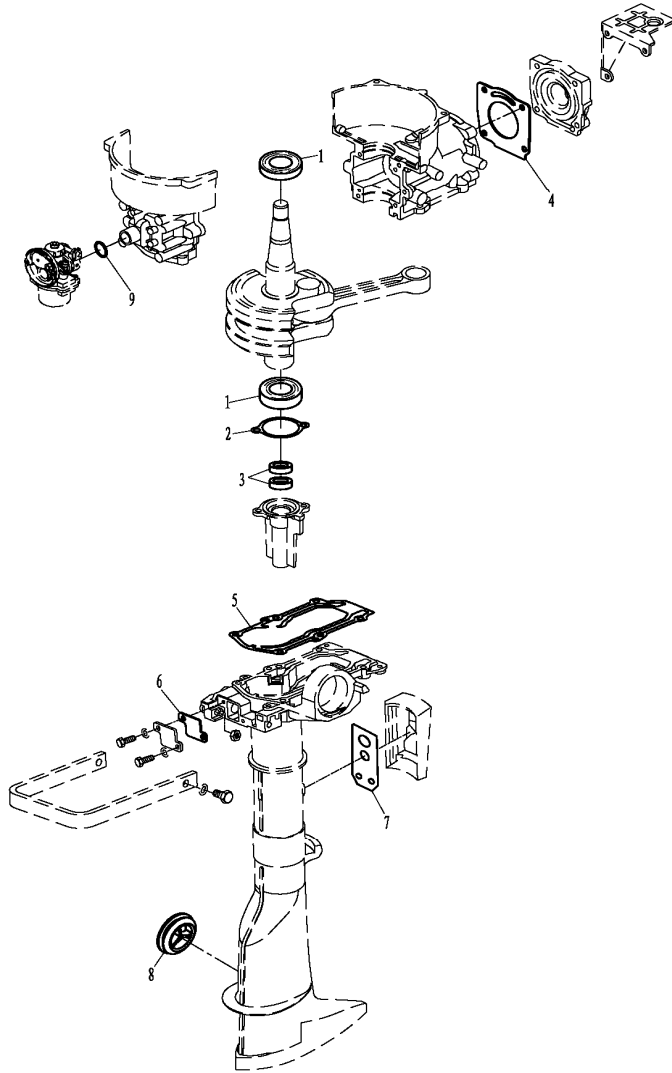
PARTS NAME: TOP COWLING



| SN. | PART NO. | DESCRIPTION | DESCRIPTION | QTY |
|-----|---------------|-------------|--------------------------|-----|
| 1 | T3.6-0000002A | 顶罩 | TOP COWLING | 1 |
| 2 | T3.6-07000003 | 顶罩左标贴 | LEFT DECAL, TOP COWLING | 1 |
| 3 | T3.6-07000004 | 顶罩右标贴 | RIGHT DECAL, TOP COWLING | 1 |
| 4 | T3.6-07000001 | 顶罩后标贴 | BACK DECAL, TOP COWLING | 1 |

零部件名称: 附件 I (维修件)

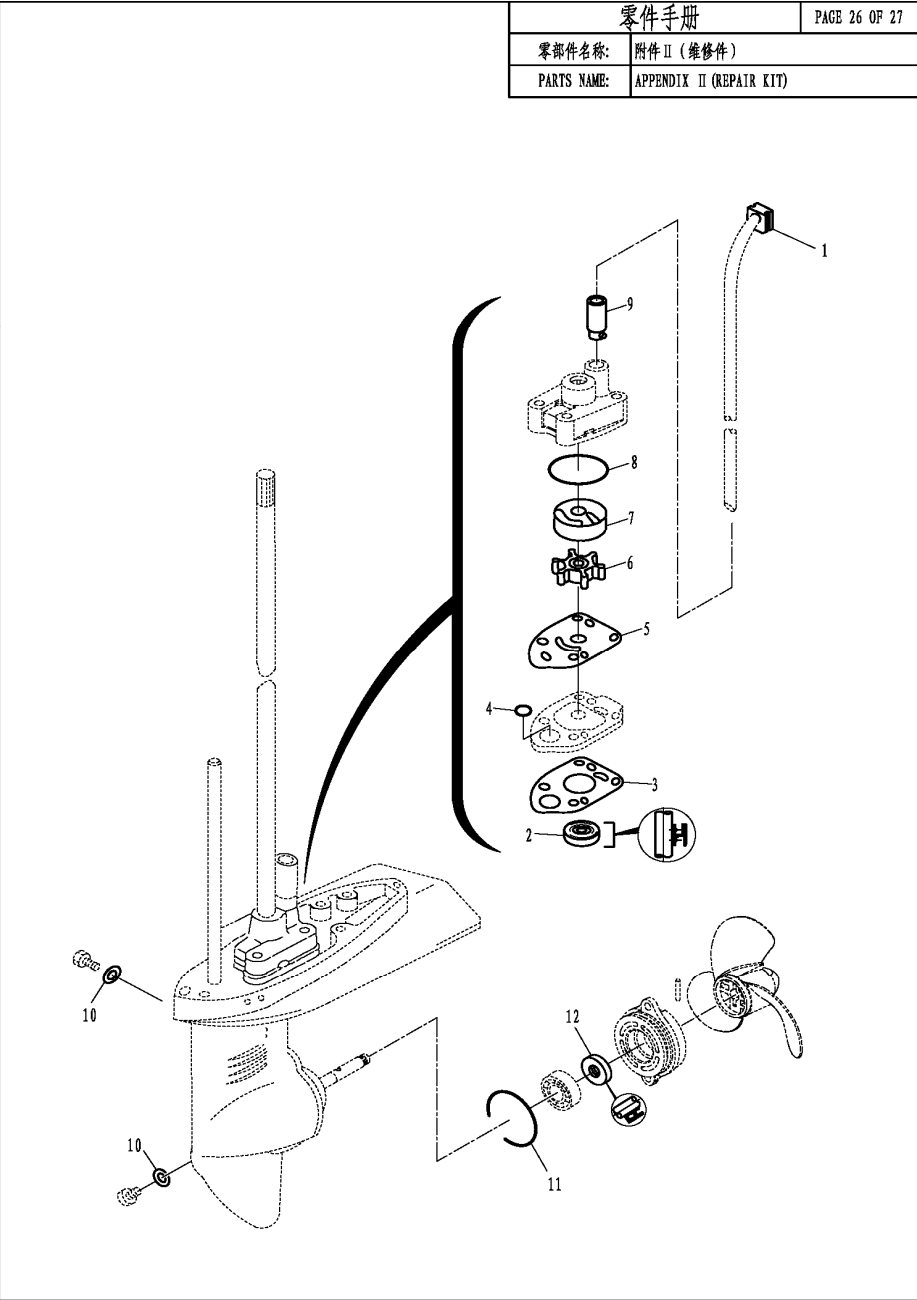
PARTS NAME: APPENDIX I (REPAIR KIT)



| SN. | PART NO. | DESCRIPTION | DESCRIPTION | QTY |
|-----|---------------|----------------|------------------------|-----|
| 1 | T3.6-04010002 | 曲轴油封 20x42x8 | OIL SEAL | 2 |
| 2 | T3.6-04000004 | 油封壳体形密封垫 | GASKET, SHELL OIL SEAL | 1 |
| 3 | T2-03000018 | 驱动轴下油封9.8x21x8 | OIL SEAL | 2 |
| 4 | T3.6-04000001 | 缸头复合垫 | GASKET, CYLINDER HEAD | 1 |
| 5 | T3.6-00000001 | 发动机密封垫 | GASKET, ENGINE | 1 |
| 6 | T3.6-02000006 | 盖板密封垫 | GASKET, COVER | 1 |
| 7 | T3.6-02000009 | 排气盖板垫 | GASKET, EXHAUST COVER | 1 |
| 8 | F4-02000012 | 水上装置橡胶堵头 | RUBBER PLUG, UPPER | 1 |
| 9 | T3.6-04000501 | 化油器O形圈 | O-RING, CARBURETOR | 1 |

REPAIR KIT 2

| | | |
|-------------|--------------------------|---------------|
| 零件手册 | | PAGE 26 OF 27 |
| 零部件名称: | 附件 II (维修件) | |
| PARTS NAME: | APPENDIX II (REPAIR KIT) | |



| SN. | PART NO. | DESCRIPTION | DESCRIPTION | QTY |
|-----|------------------|-------------------|-------------------------|-----|
| 1 | T3.6-02000008 | 工形橡胶圈 | I-SHAPED RUBBER BAND | 1 |
| 2 | F2.6-03000004 | 驱动轴下油封9.8X24X9 | OIL SEAL | 1 |
| 3 | F2.6-03000007 | 水泵座密封垫 | GASKET, WATER PUMP | 1 |
| 4 | F2.6-03000009 | O型密封圈 | O-RING | 1 |
| 5 | F2.6-03000010 | 外档板 | OUT PLATE | 1 |
| 6 | F2.6-03000100 | 叶轮组件 | IMPELLER ASSY | 1 |
| 7 | F2.6-03000015 | 水泵内壳 | COVER, INNER WATER PUMP | 1 |
| 8 | JASO-F404-19-033 | 水泵内壳O形圈 | O-RING | 1 |
| 9 | F4-03000021 | 泵壳橡胶管 | RUBBER TUBE, WATER PUMP | 1 |
| 10 | F4-03000024 | 注油孔螺塞垫圈 | GASKET | 3 |
| 11 | JISB-2401-P48 | 水下壳体盖O形圈Φ47.1X3.5 | O-RING | 1 |
| 12 | F8-04000101 | 水泵座油封12X24X8 | OIL SEAL | 1 |

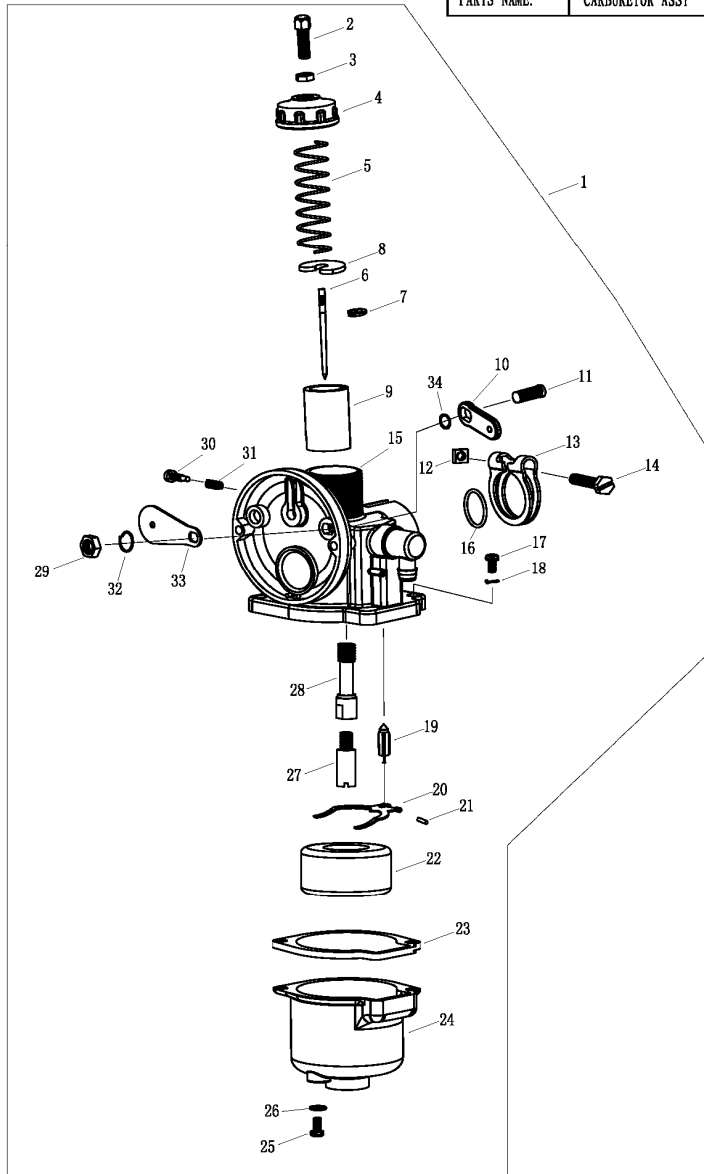
CARBURETOR

零件手册

PAGE 22 OF 29

零部件名称: 化油器总成

PARTS NAME: CARBURETOR ASSY



| SN. | PART NO. | DESCRIPTION | DESCRIPTION | QTY | |
|-----|---------------|--------------|------------------------------|-----|--------------|
| 1 | T3.6-04000500 | 化油器总成 | CARBURETOR ASSY | 1 | |
| 2 | T3.6-04000531 | 锁紧固定螺栓 | BOLT, LOCKING | 1 | |
| 3 | T3.6-04000530 | 锁紧固定螺母 | NUT, LOCKING | 1 | |
| 4 | T3.6-04000529 | 化油器螺母 | NUT, CARBURETOR | 1 | |
| 5 | T3.6-04000528 | 加速阀弹簧 | SPRING, ACCELERATION VALVE | 1 | |
| 6 | T3.6-04000525 | 加速阀针 | NEEDLE, ACCELERATION VALVE | 1 | |
| 7 | T3.6-04000526 | 加速阀卡片 | RETAINER, ACCELERATION VALVE | 1 | |
| 8 | T3.6-04000527 | 加速阀垫片 | GASKET, ACCELERATION VALVE | 1 | |
| 9 | T3.6-04000524 | 加速阀座 | SEAT, ACCELERATION VALVE | 1 | |
| 10 | T3.6-04000505 | 阻风门摆杆 | LINK, CHOKE | 1 | Not for sale |
| 11 | T3.6-04000504 | 阻风门螺钉 | SCREW, THROTTLE | 1 | Not for sale |
| 12 | T3.6-04000511 | 化油器方螺母 | SQUARE NUT, CARBURETOR | 1 | not for sale |
| 13 | T3.6-04000510 | 化油器卡箍 | CLAMP, CARBURETOR | 1 | not for sale |
| 14 | T3.6-04000512 | 固定螺钉 | CLAMPING SCREW | 1 | not for sale |
| 15 | T3.6-04000503 | 化油器本体 | CRABURETOR | 1 | not for sale |
| 16 | T3.6-04000501 | 化油器O型圈 | SEAL | 1 | |
| 17 | GB/T818-M4X12 | 十字槽盘头螺钉M4X12 | BOLT | 2 | Not for sale |
| 18 | GB/T193-4 | 弹性垫圈4 | WASHER, SPRING | 2 | Not for sale |
| 19 | T3.6-04000516 | 针阀 | VALVE, NEEDLE | 1 | |
| 20 | T3.6-04000518 | 浮子摆杆 | SWING STEM, FLOAT | 1 | |
| 21 | T3.6-04000517 | 浮子销 | PIN, FLOAT | 1 | |
| 22 | T3.6-04000519 | 浮子 | FLOAT | 1 | |
| 23 | T3.6-04000520 | 油杯密封垫 | GASKET, FLOAT CHAMBER | 1 | |
| 24 | T3.6-04000521 | 油杯 | CUP, BODY | 1 | not for sale |
| 25 | GB/T818-M4X6 | 十字槽盘头螺钉M4X6 | SCREW, DRAIN | 1 | |
| 26 | T3.6-04000523 | 放油螺钉垫片 | GASKET | 1 | |
| 27 | T3.6-04000515 | 主量孔 | JET, MAIN | 1 | |
| 28 | T3.6-04000514 | 主喷嘴 | NOZZLE, MAIN | 1 | |
| 29 | T3.6-04000522 | 铜螺母 | BRASS NUT | 1 | |
| 30 | T3.6-04000508 | 怠速螺钉 | SCREW, AIR ADJUSTING | 1 | |
| 31 | T3.6-04000509 | 怠速螺钉弹簧 | SPRING, AIR ADJUSTING | 1 | |
| 32 | GB/T93-6 | 弹性垫圈6 | WASHER, SPRING | 1 | |
| 33 | T3.6-04000507 | 阻风门片 | APRON, CHOKE | 1 | not for sale |
| 34 | T3.6-04000506 | 阻风垫圈 | GASKET | 1 | |
| 35 | T3.6-04000502 | 化油器接套 | ADAPTER, CARBURETOR | 1 | Not for sale |